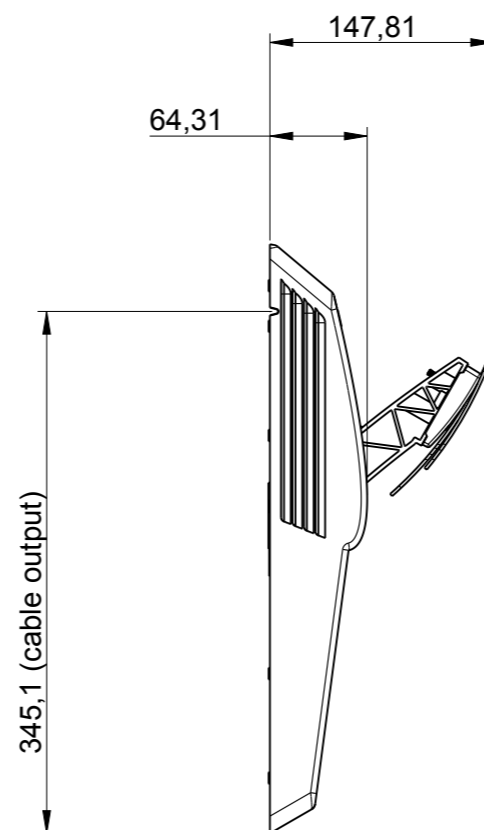
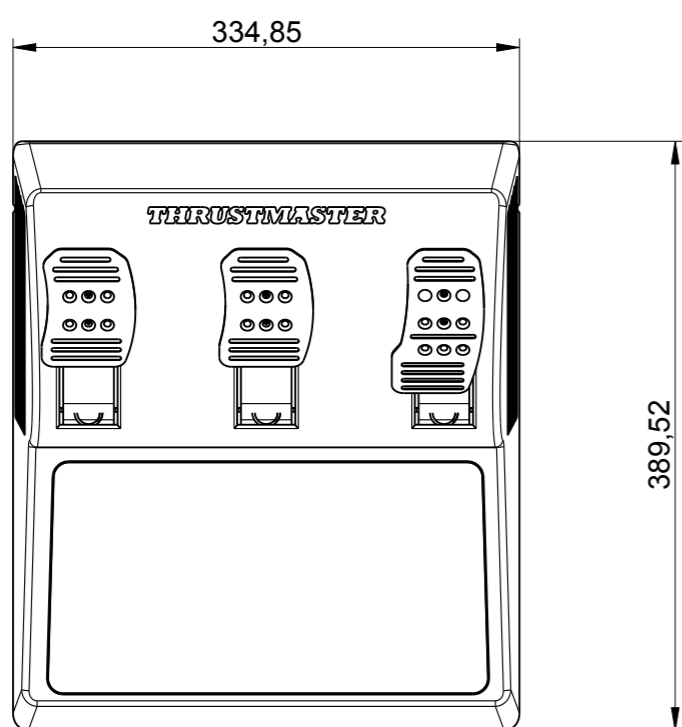
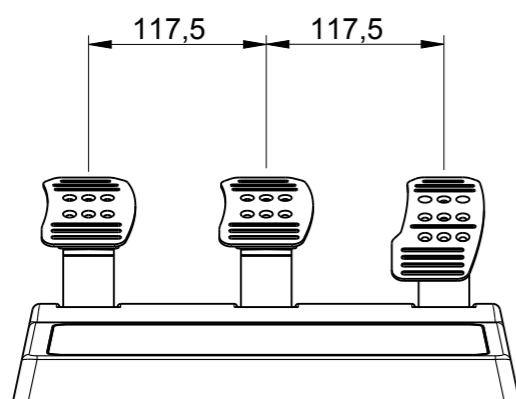
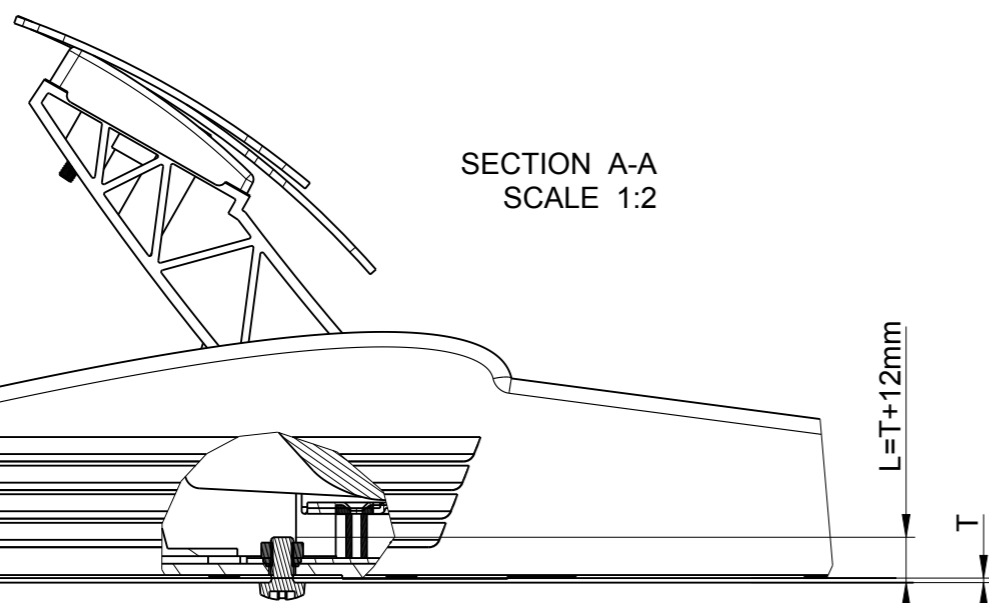
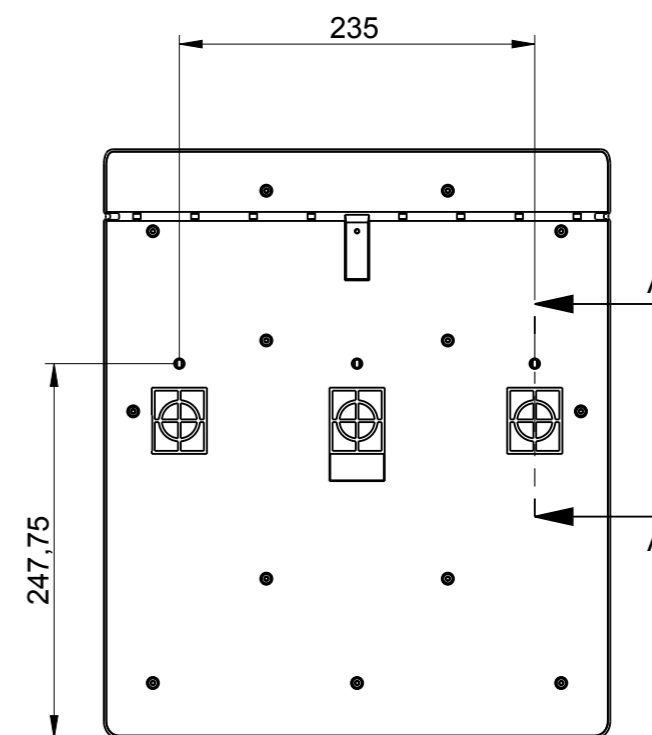


VERSIONS	
A	INITIAL



Cockpit fixation nuts
 !! Recommendation : screw heads should be directly connected to power ground !!



MATERIAL n/a	DRAWN BY Thrustmaster	DATE 2013-04-17	GUILLEMOT CORPORATION HERCULES THRUSTMASTER	
DIMENSIONAL TOLERANCES UNLESS OTHERWISE SPECIFIED <input type="checkbox"/> MILLIMETERS <input type="checkbox"/> <input type="checkbox"/> 1 PLACE $\pm 0.3\text{mm}$ <input type="checkbox"/> <input type="checkbox"/> 2 PLACE $\pm 0.15\text{mm}$ <input type="checkbox"/> <input type="checkbox"/> 3 PLACE $\pm 0.05\text{mm}$ <input type="checkbox"/>	CHECKED BY	DATE		
APPROVALS			DWG NO.	SIZE
MASSE n/a			THRUSTMASTER-3PEDALS-SET-2013	A3
PLAN			SCALE 1:5	SHEET 1 OF 1

