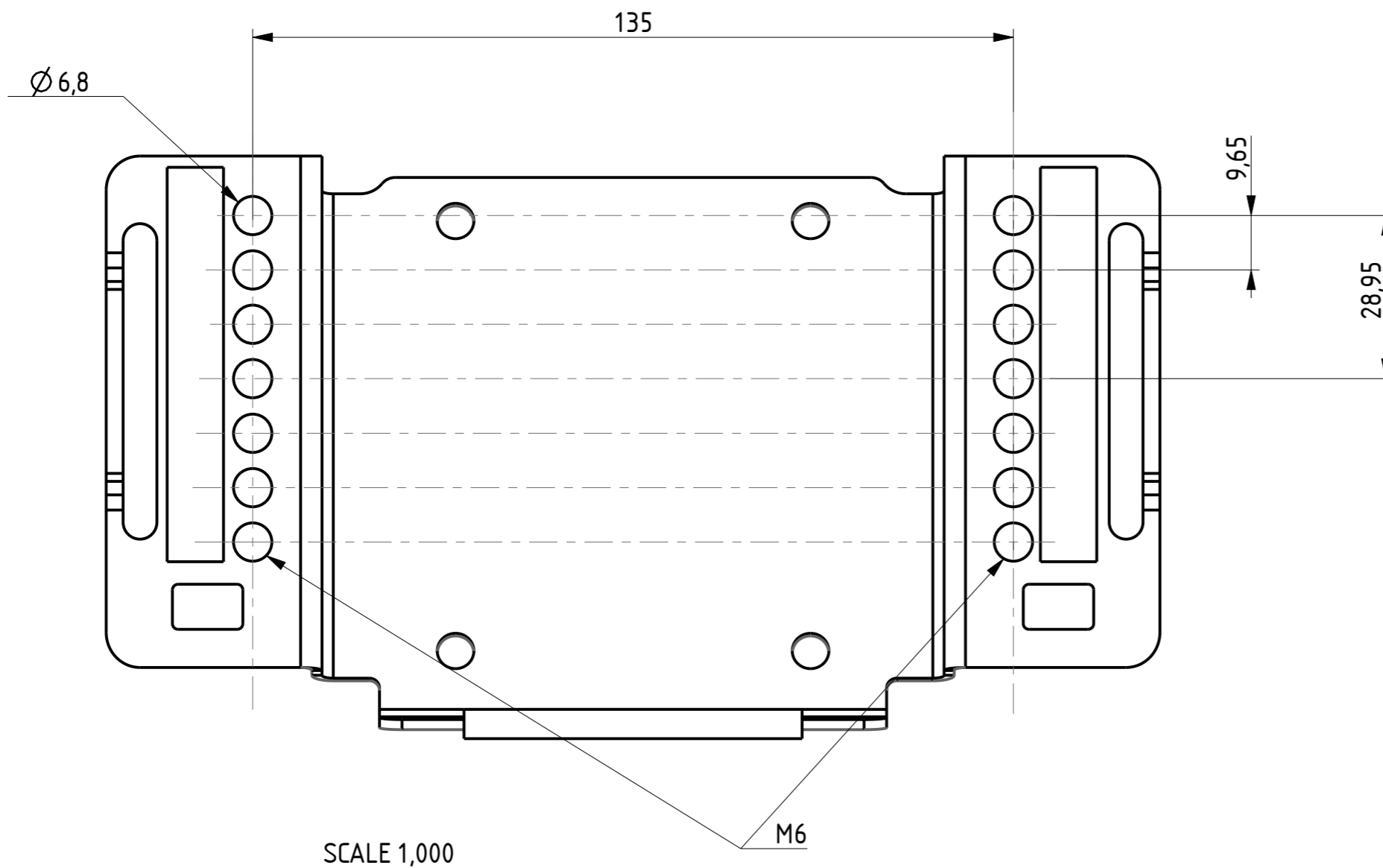


VERSIONS	
A	Initial



SCALE 1,000

MATERIAL:	DRAWN BY -	DATE -	GUILLEMOT CORPORATION HERCULES THRUSTMASTER	
TOLERANCES STANDARD: N/A	CHECKED BY -	DATE -		
<p>FIRST ANGLE PROJECTION</p>	APPROVALS		NAME: T598_CLAMP	
	MASSE 10.63 gr	PLAN T598		SIZE A3
	SCALE 1,000		SHEET 1 OF 1	