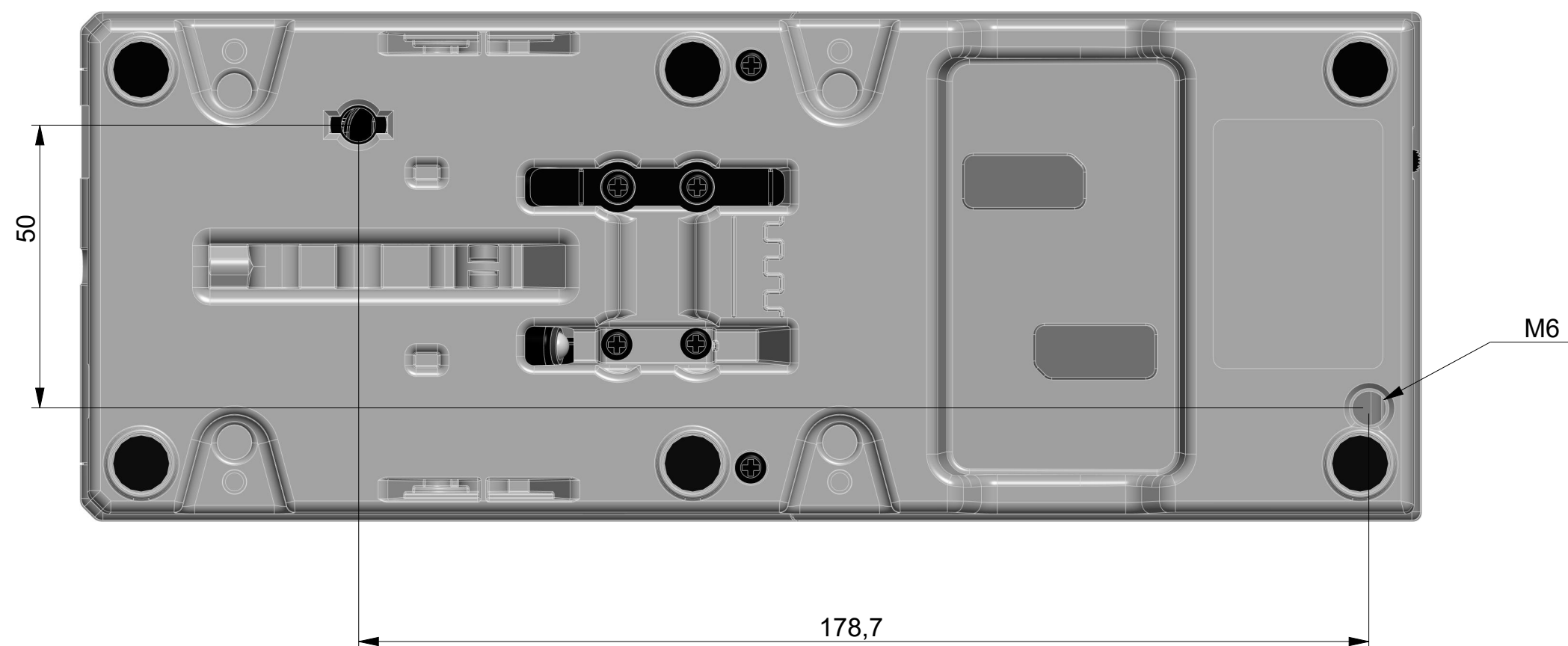

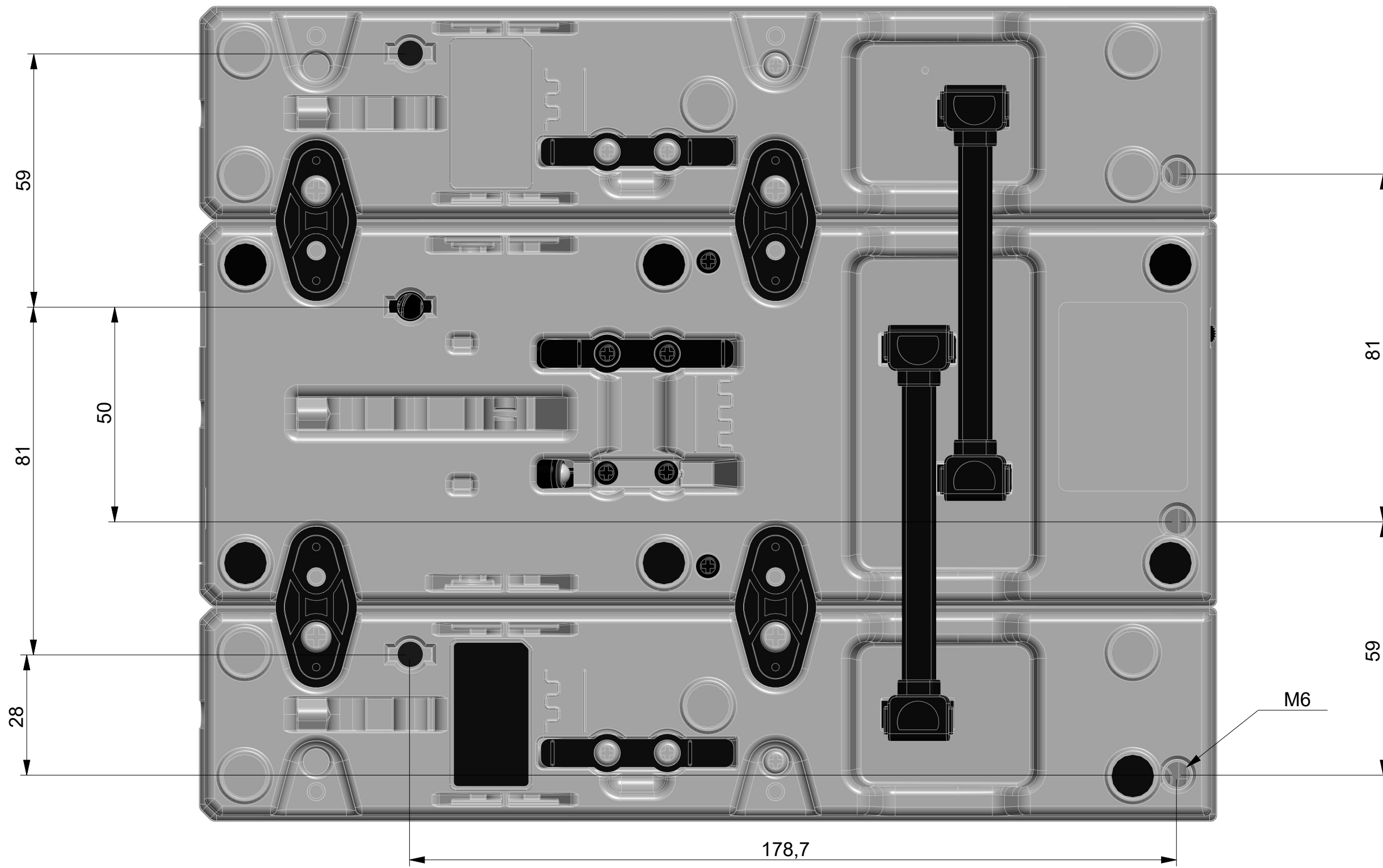


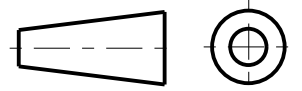
VERSIONS

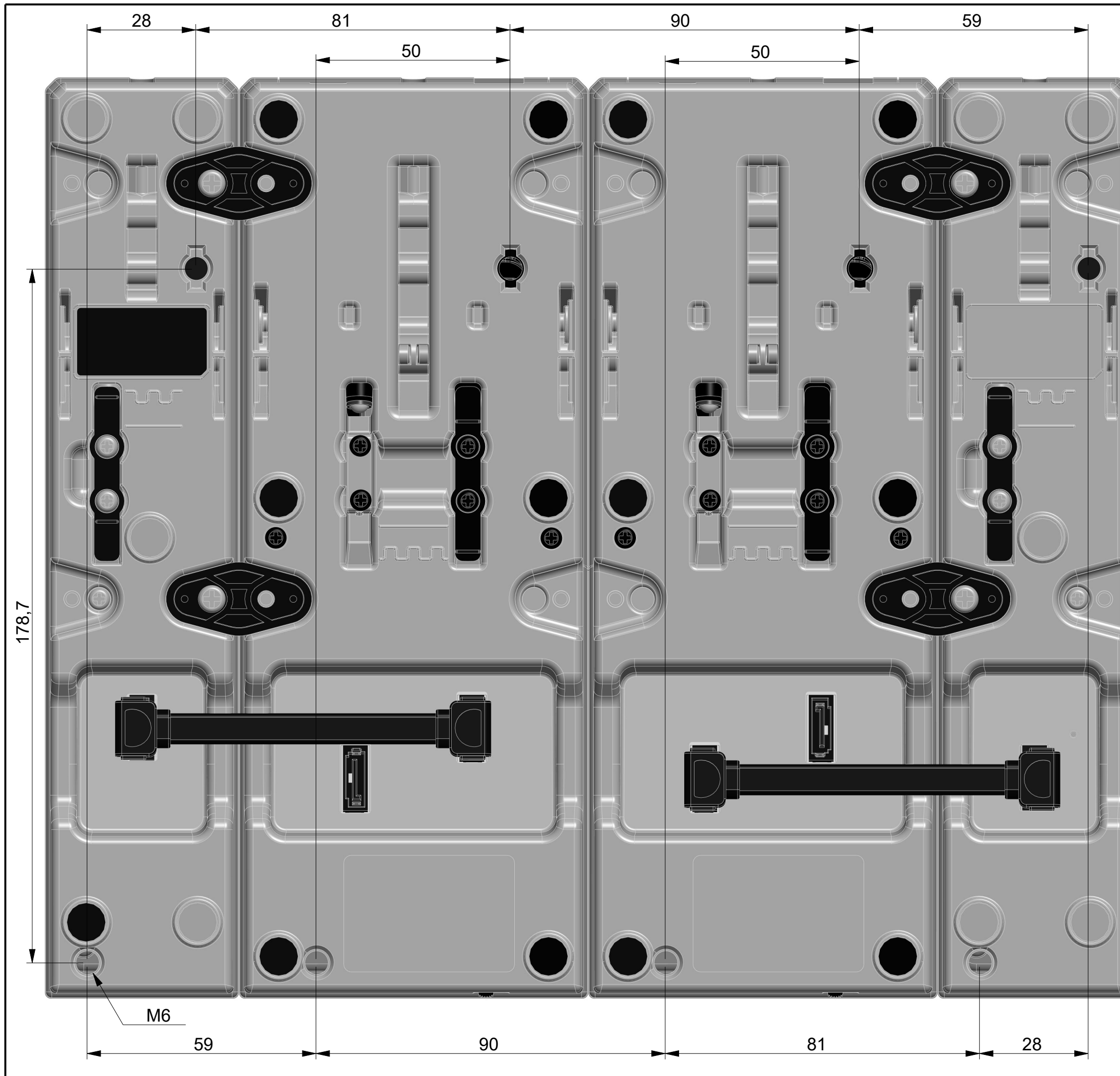
XX XX



MATERIAL <b>XX</b>	DRAWN BY YBR	DATE YBR	<b>GUILLEMOT CORPORATION HERCULES THRUSTMASTER</b>	
DIMENSIONAL TOLERANCES UNLESS OTHERWISE SPECIFIED MILLIMETERS X>100mm : ±0.3mm 30<X<100mm : ±0.2mm X<30mm : ±0.1mm	CHECKED BY YBR	DATE 2020-07-15		
FIRST ANGLE PROJECTION 	APPROVALS		DWG NO.	
	MASSE <b>32565345,214</b>		<b>M6_SCREWS</b>	
	PLAN <b>XX</b>		SCALE 1,000	SHEET 1 OF 3
			SIZE <b>A3</b>	



MATERIAL	DRAWN BY YBR	DATE YBR	GUILLEMOT CORPORATION HERCULES THRUSTMASTER	
DIMENSIONAL TOLERANCES UNLESS OTHERWISE SPECIFIED MILLIMETERS X>100mm : ±0.3mm 30<X<100mm : ±0.2mm X<30mm : ±0.1mm	CHECKED BY YBR	DATE 2020-07-15		
	APPROVALS			DWG NO.
FIRST ANGLE PROJECTION 			M6_SCREWS	
PLAN			SCALE 1,000	SIZE A3
			SHEET 2 OF 3	



VERSIONS

<b>GUILLEMOT CORPORATION HERCULES THRUSTMASTER</b>	
NAME	
DWG NO.	<b>M6_SCREWS</b>
SCALE 1,000	SIZE <b>A3</b>
SHEET 3 OF 3	