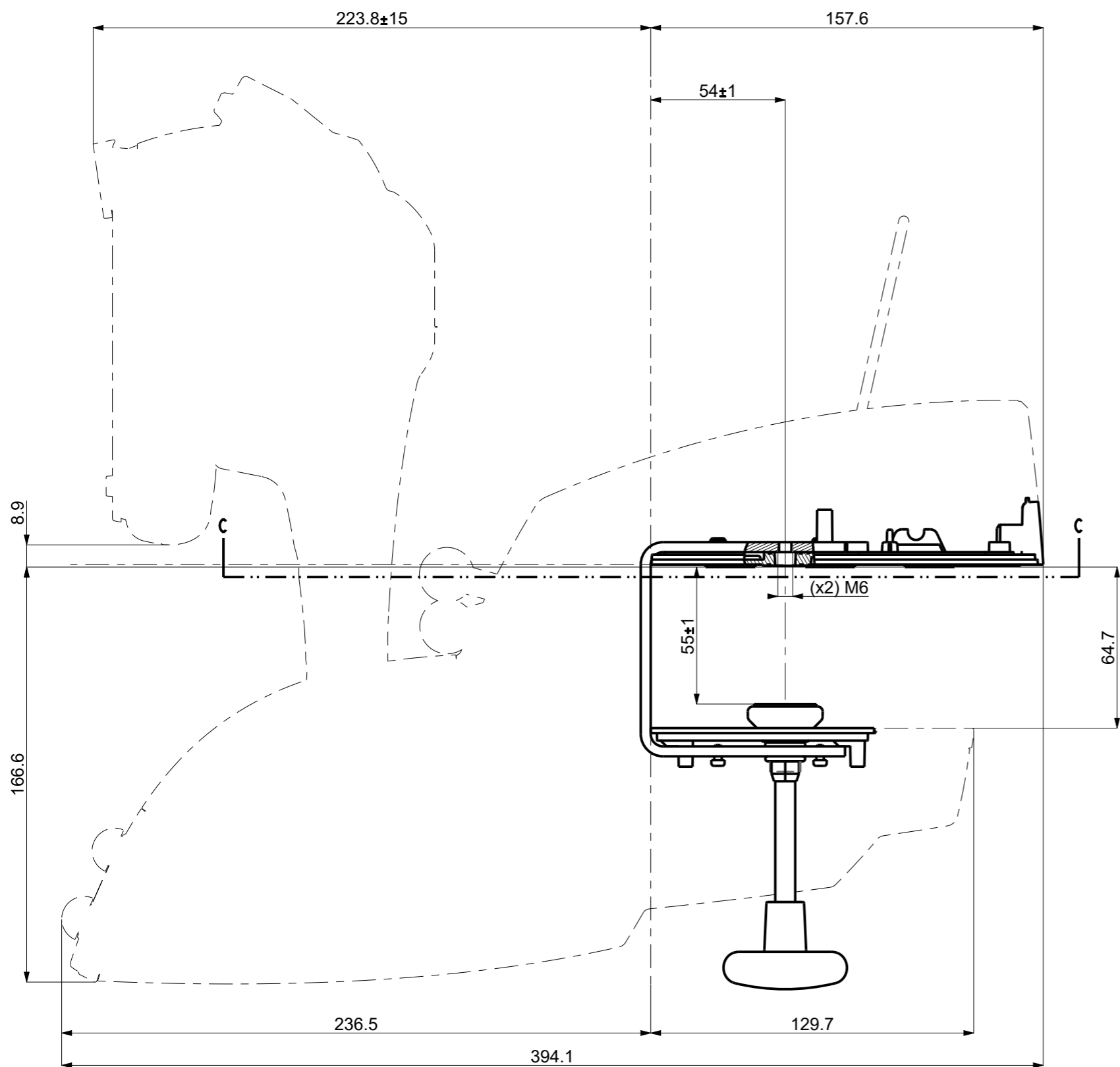
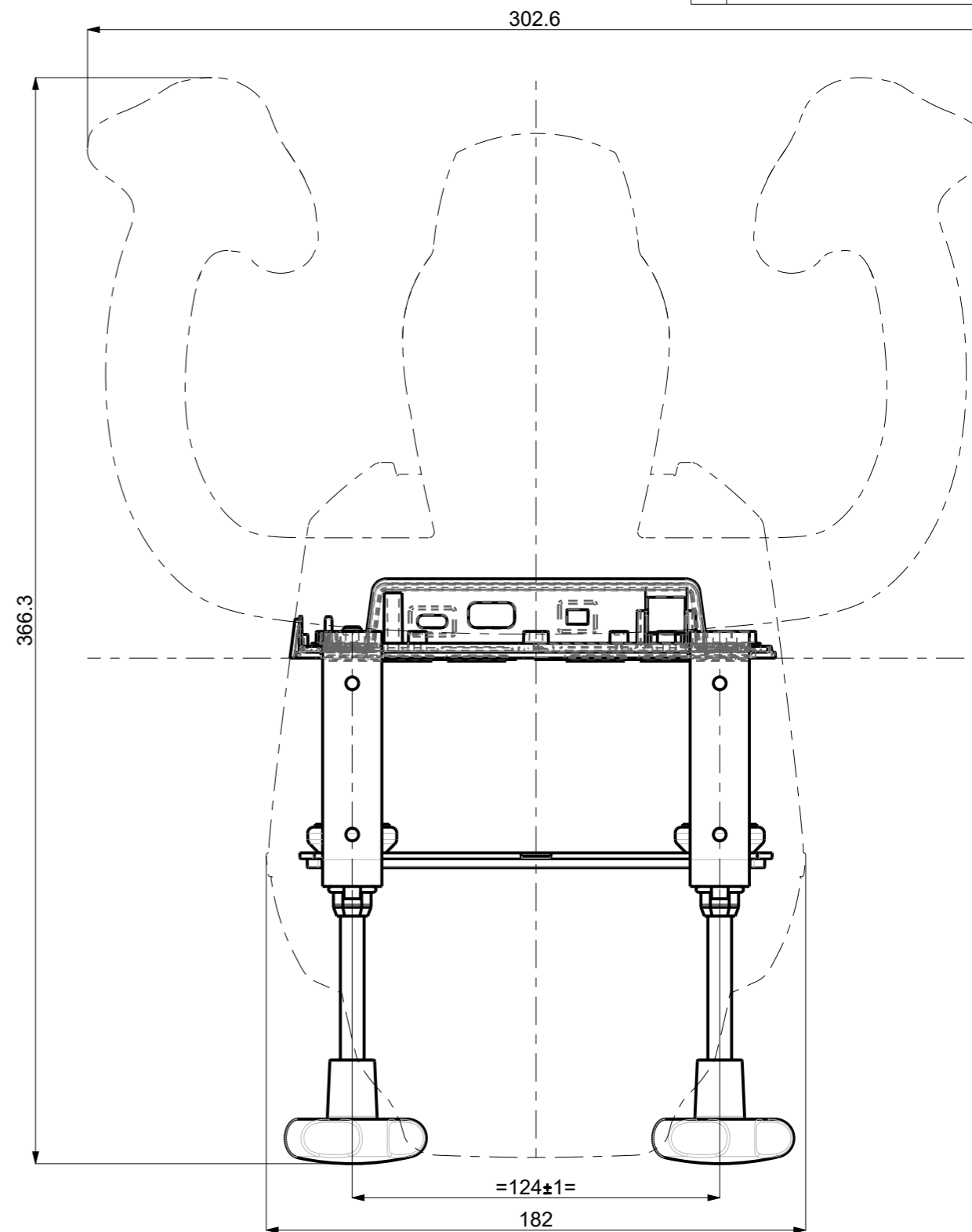


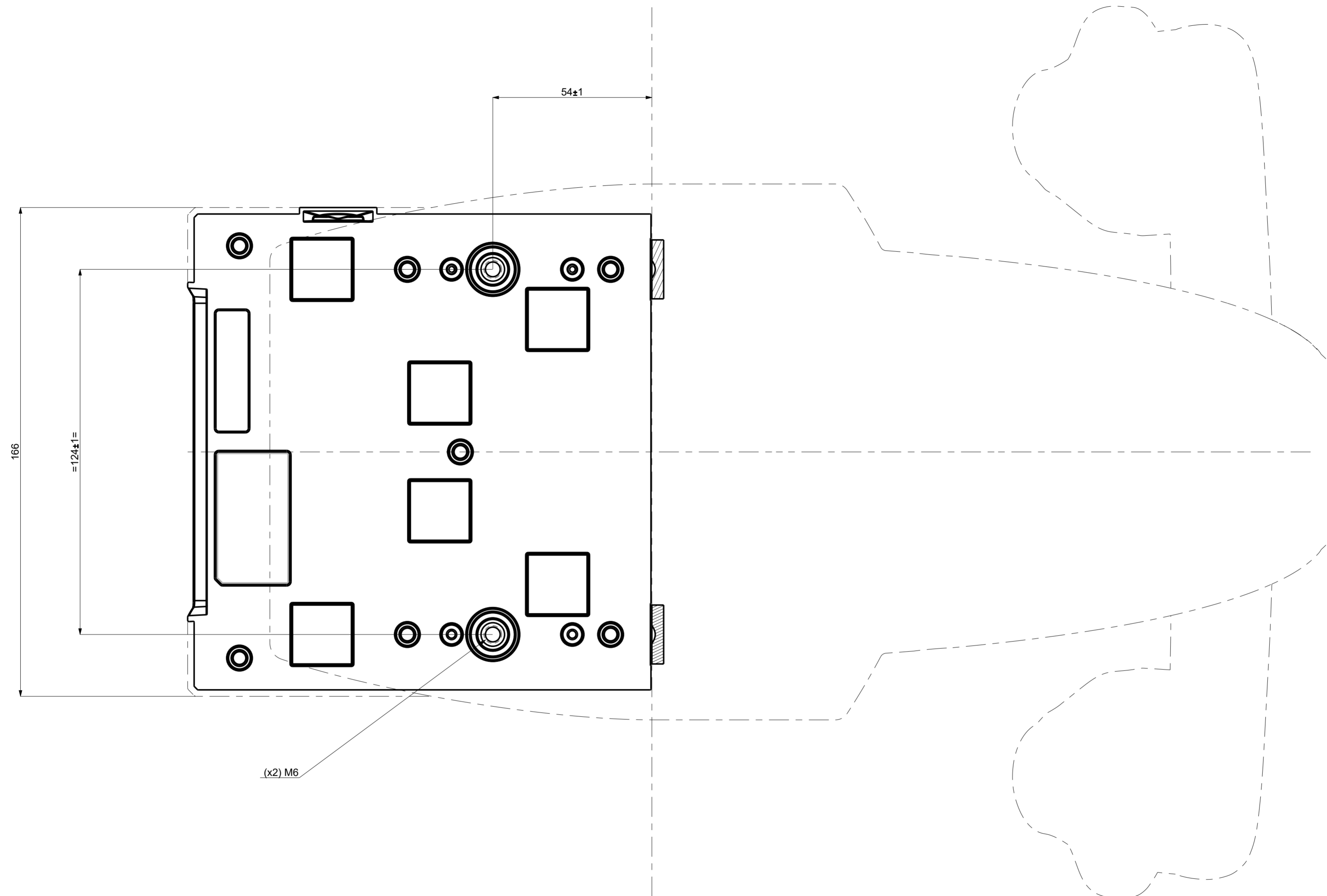
VERSIONS	
A	10/12/2021



COUPE A-A



MATERIAL n/a	DRAWN BY THRUSTMASTER	DATE 2021-12-10	GUILLEMOT CORPORATION HERCULES THRUSTMASTER		
DIMENSIONAL TOLERANCES UNLESS OTHERWISE SPECIFIED MILLIMETERS	CHECKED BY	DATE			NAME
<p>FIRST ANGLE PROJECTION</p>	APPROVALS		DWG NO.	SIZE	
	MASSE	N/A		00_YO_PEGA_COCKPIT_SETTINGS	A3
	PLAN			SCALE 0.500	SHEET 1 OF 2



(x2) M6

COUPE C-C
ECHELLE 1.000

MATERIAL n/a	DRAWN BY THRUSTMASTER	DATE 2021-12-10	GUILLEMOT CORPORATION HERCULES THRUSTMASTER	
DIMENSIONAL TOLERANCES UNLESS OTHERWISE SPECIFIED MILLIMETERS	CHECKED BY	DATE		
<p>FIRST ANGLE PROJECTION</p>	APPROVALS		DWG NO.	SIZE
	MASSE	N/A	00_YO_PEGA_COCKPIT_SETTINGS	A2
	PLAN		SCALE 1.000	SHEET 2 OF 2