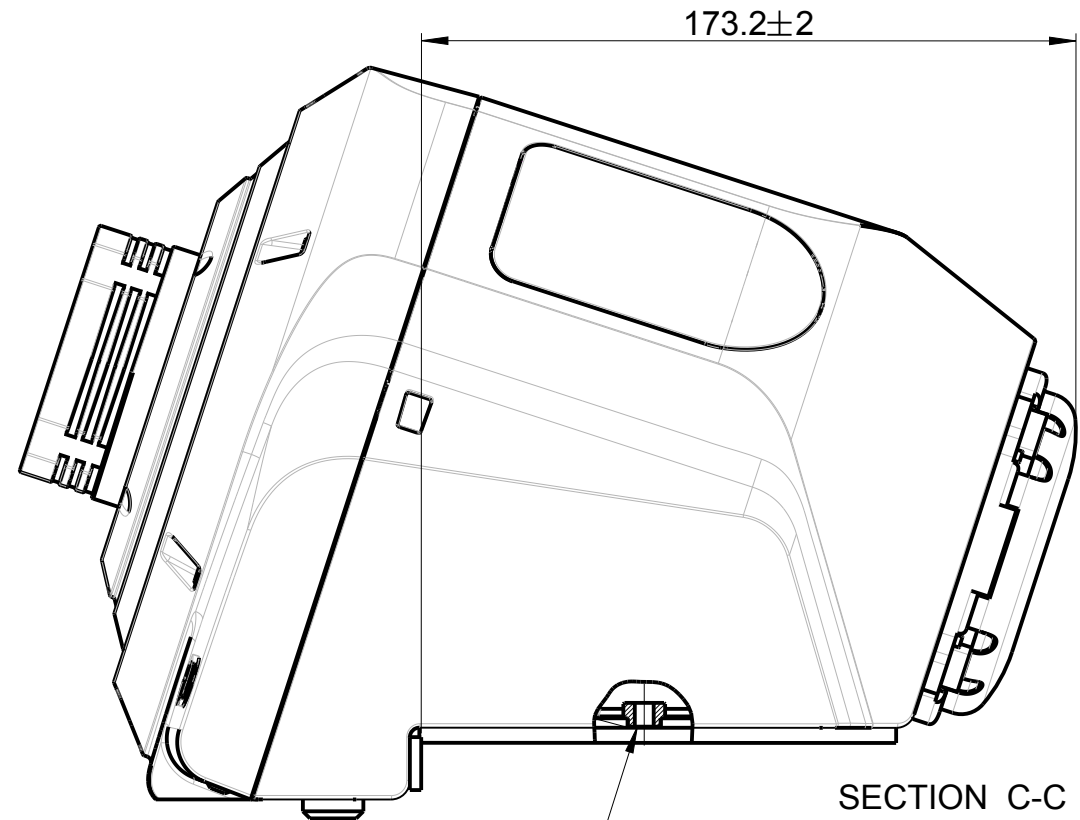
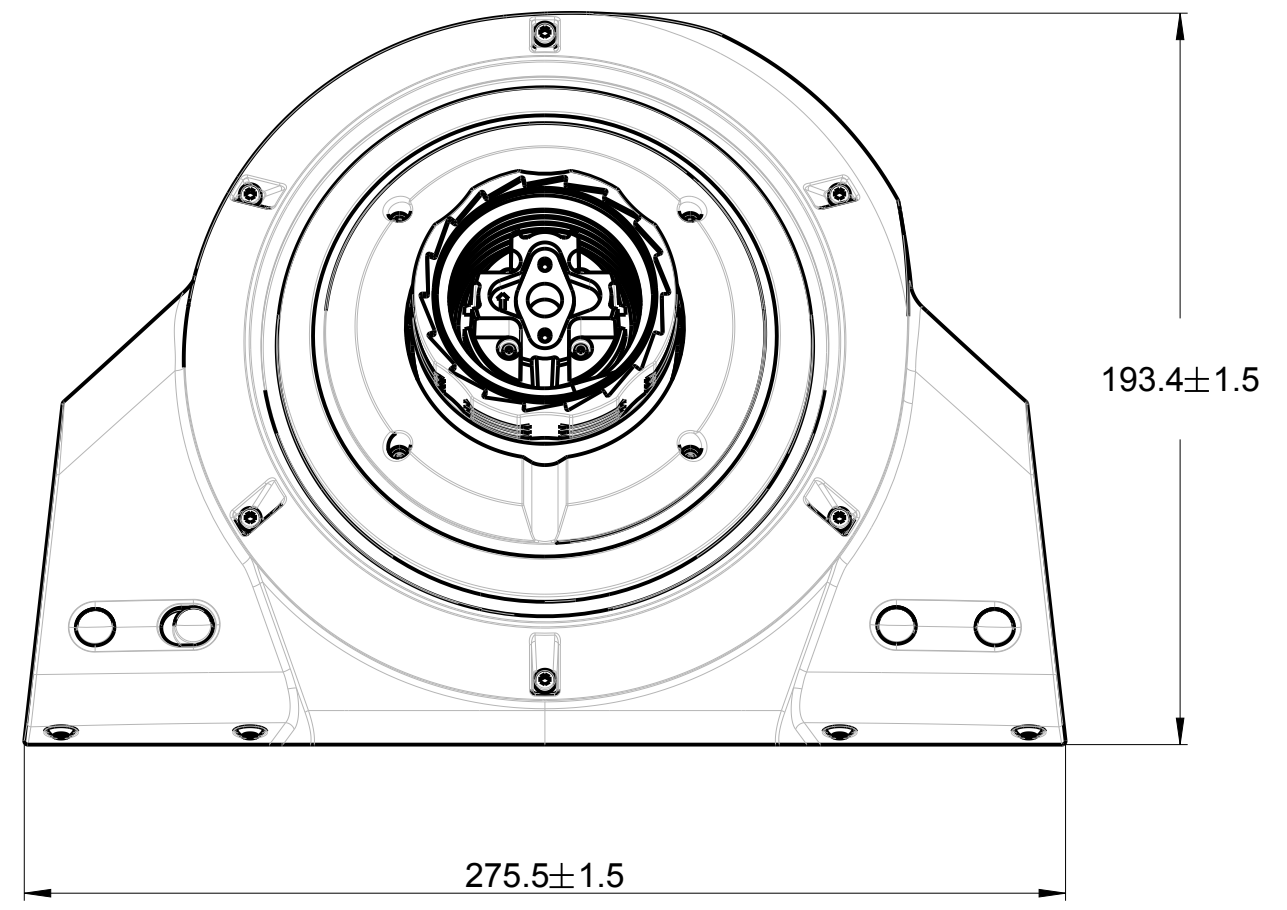
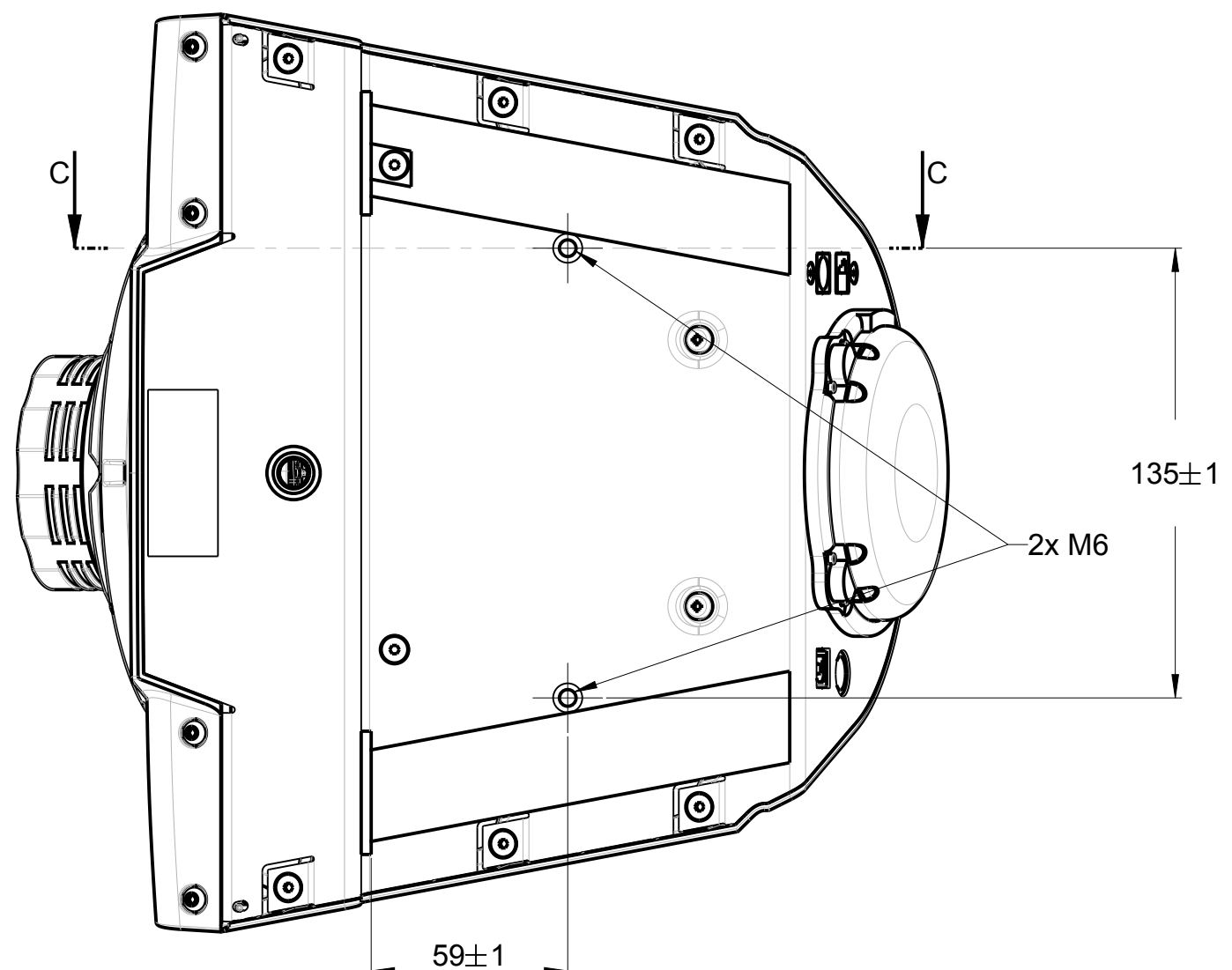


VERSIONS	
A	2017-09-13



Screw length : 12mm inside body max
 Longueur vis : 12mm max à l'intérieur de la base

MATERIAL	DRAWN BY THRUSTMASTER	DATE 2017-09-13	GUILLEMOT CORPORATION HERCULES THRUSTMASTER	
DIMENSIONAL TOLERANCES UNLESS OTHERWISE SPECIFIED MILLIMETERS	CHECKED BY	DATE		
APPROVALS			DWG NO.	SIZE
MASSE 4,1kg ± 250g			T-GT-COCKPIT-SETTINGS	A3
PLAN			SCALE 1/2	SHEET 1 OF 1

